

BALANCES

COUNTING SCALES

BENCH SCALES

CHECKWEIGHERS

CONVEYOR SCALES

FLOOR SCALES

INDICATORS

TRUCK SCALES

RAILROAD SCALES

SOFTWARE

**FORKLIFT SCALES**

JUNCTION BOXES

SIGNAL PROCESSING

MONORAIL SCALES

PRINTERS

REMOTE DISPLAYS

**Avery Weigh-Tronix**  
**Forklift Scales**



## QTLTSC

Certified, legal-for-trade en route weighing  
for Class III and Class IV forklifts.



**Avery Weigh-Tronix**

# Avery Weigh-Tronix

The Avery Weigh-Tronix QLTSC Forklift Scale System includes a durable, front-mounted scale carriage with accurate Weigh Bar® electronic weight sensors and a choice of two in-cab instruments. The system allows operators to easily and quickly capture legal-for-trade weight data en route, without extra steps.

## Fast, seamless weighing without any extra steps



In many operations, weighing is considered an extra step that takes too much time. It's easier to estimate the weight than travel to a floor scale and wait for access. Guessing costs businesses millions in revenue every year.

A forklift scale allows seamless integration of weighing and data management into your operation – without adding any extra steps or route changes.

The QLTSC Forklift Scale System was specifically developed for industrial/commercial applications and incorporates design features to weigh accurately under all conditions.

The QLTSC is one model in a long line of reliable, robust forklift scales from Avery Weigh-Tronix going back over 25 years. We have the experience and knowledge to meet your needs.

### QLTSC SCALE CARRIAGE

The durability of the QLTSC Scale Carriage is immediately apparent. The scale's patented design features two metal plates. The plates are coupled together by application-designed Avery Weigh-Tronix Weigh Bar weight sensors. This design has no flexures, hydraulics or springs that can affect weighing while the mast is tilted.

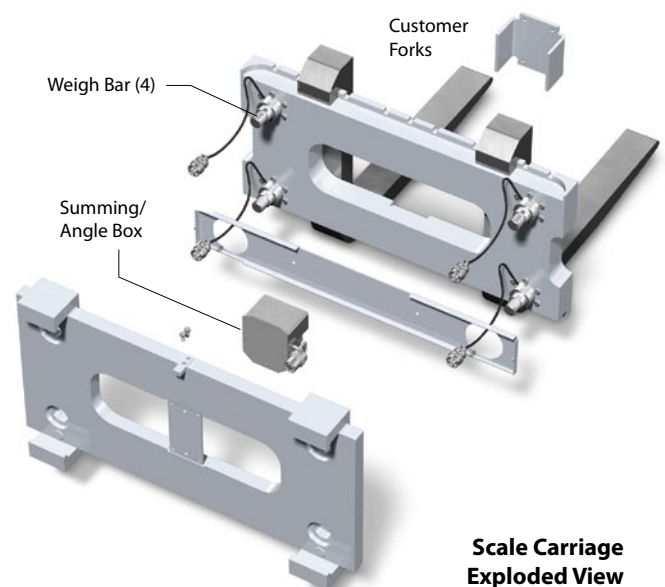
The Weigh Bars electronically measure the load on the forks and convey this information to an embedded summing box. Compiled weight information is then passed on to the in-cab instrument via a cable.

The entire carriage assembly is primed and finished with a high grade powder paint.

#### Easy Installation

The scale is attached to the existing forklift carriage and uses the forklift's stock forks. If needed, the scale and instrument system can be moved to another truck in minutes.

- ITA Class III Cleat Type
  - 5,000 x 5 lb
  - 10,000 x 10 lb
- ITA Class IV Cleat Type
  - 10,000 x 10 lb
  - 16,000 x 20 lb



Scale Carriage Exploded View



**Factory default touchscreen interface showing multiple data fields:** weight, date, time, records, pro number (ID), actual pieces, accumulated pieces, accumulated weight, and operator number. Also showing abort and complete soft keys.

## FLI 425 IN-CAB TOUCHSCREEN INSTRUMENT

The FLI 425 Instrument was designed exclusively for the forklift scale. It's a powerful component of an en route weighing system.

### 7" Touchscreen TFT Color LCD Display

Capable of displaying up to 19 different data fields simultaneously, each of which can be accessed via the touchscreen. Also displays operator "pop-ups", on-demand diagnostics, alpha-numeric entry, stored records and metrological details.

### 4 Hard Keys

Operator training is fast; common keys are placed along the edge of the display: Power, F1 (for special applications), Store and Zero.

### Windows CE.NET® Platform

Compatible with existing Information Systems infrastructure. Expandable into a data terminal device for Cross Docking.

### Flexible Data Transmission

Stored data can be transmitted in a variety of ways: serial ports, USB (thumb drive), Ethernet or optional Wi-Fi (802.11 b/g).

### Cushioned Case Surround

The FLI 425 features a foam rubber surround, preventing injuries from accidental head contact.

- Transactions stored in memory
- Automatic standby mode if left unattended
- Calibration validation
- Powered by forklift's electrical system
- Diagnostics Manager



## FLI 225 IN-CAB INSTRUMENT

The FLI 225 was designed for forklift scale users with simpler needs.

### Fast View LCD Display

¾" high weight digits for great readability. Also displays multiple lines of other data. Crisp in bright conditions and backlit for dim areas.

### 9 Hard Keys

Limited number of keys to reduce operator confusion.

### Dual Serial Ports

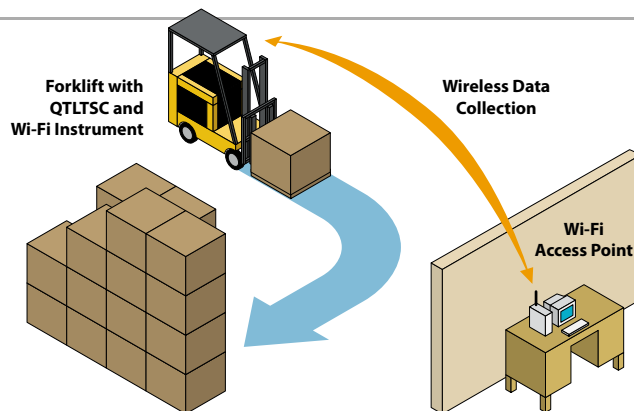
Serial ports for data transmission and peripheral connection. Optional Wi-Fi capability (802.11b/g).

- Classic/Expanded operation modes
- Automatic standby feature
- 350 transaction memory
- Transaction/Accumulator reports
- Powered by forklift's electrical system
- Instrument diagnostics mode
- Scale diagnostics mode

## WIRELESS INSTRUMENT OPTION

Adding the Wi-Fi transmitter option to the forklift scale instrument improves efficiency. Real-time communication removes the step of manually downloading data via a wired connection. If the wireless link is lost, the instrument will save all data until the link is re-established.

Data can be used locally and/or transferred via WAN to a central server or data center. Information is available for use by account management, or inventory management for validation of inbound/outbound goods and stock management.





**OPTIONS**



**ABOUT AVERY WEIGH-TRONIX**

Avery Weigh-Tronix has been an active force in advancing the state of scale design since 1813. Its products are recognized for durability that exceeds general industry standards and performance that reflects the latest advances in technology. Through customer satisfaction, Avery Weigh-Tronix has grown rapidly and is one of the world's largest manufacturers of commercial and industrial scales.

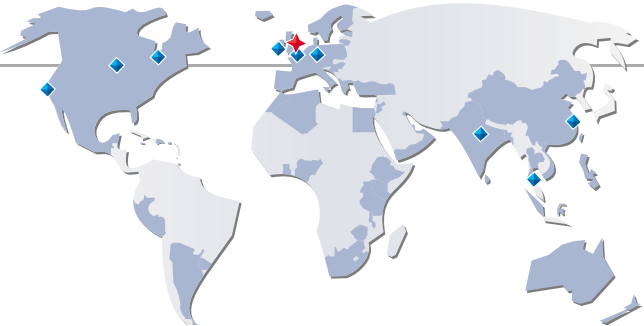


*Avery Weigh-Tronix manufacturing facility – Fairmont, MN*

**Avery Weigh-Tronix**

**Avery Weigh-Tronix - USA**  
1000 Armstrong Drive,  
Fairmont, MN 56031-1439 USA  
usinfo@awtxglobal.com  
Toll-Free: (800) 533-0456  
Phone: (507) 238-4461

**Avery Weigh-Tronix - UK**  
Foundry Lane, Smethwick,  
West Midlands B66 2LP UK  
info@awtxglobal.com  
Phone: +44 (0) 8453 66 77 88  
Fax: +44 (0) 121 224 8183



Please call us or visit [www.averyweigh-tronix.com](http://www.averyweigh-tronix.com) for your nearest Avery Weigh-Tronix distributor

